

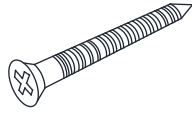

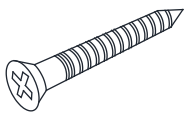
# RAW005 ASSEMBLY INSTRUCTION

Thank you for purchasing this quality product. Be sure any small parts and hardware not for children under 3 years. Adult assembly required.

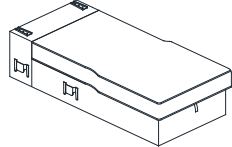
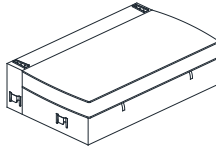
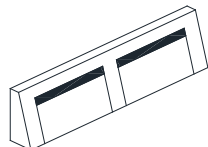
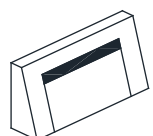
**"DO NOT TIGHTEN SCREWS UNTIL COMPLETELY ASSEMBLED"**

**"DO NOT OVERTIGHT ANY HARDWARE"**

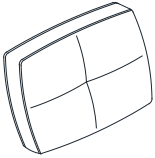
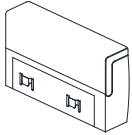
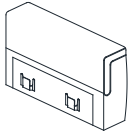
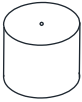
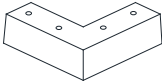
## HARDWARES LIST

ITEM	DESCRIPTION	DRAWING	QTY
A	CSK SCREW M4 x 45MM		24 PCS
B	WHELL		4 PCS
C	CSK SCREW M3.5 x 20MM		16 PCS

## PARTS LIST

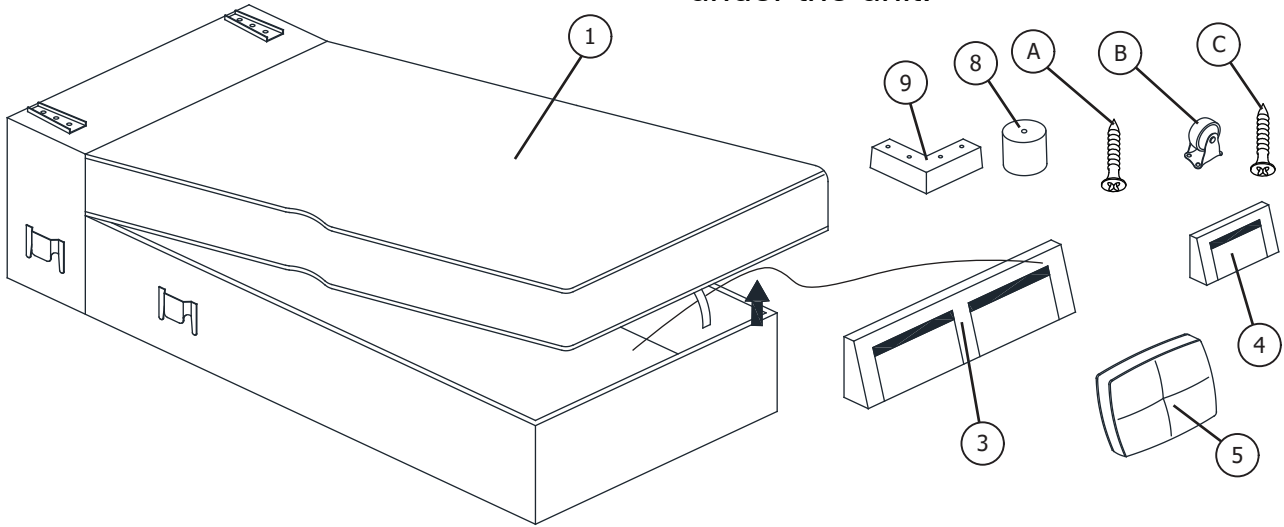
ITEM	DESCRIPTION	DRAWING	QTY
1	SEAT		1 PC
2	SEAT		1 PC
3	BACK FRAME		1 PC
4	BACK FRAME		1 PC

# RAW005 ASSEMBLY INSTRUCTION

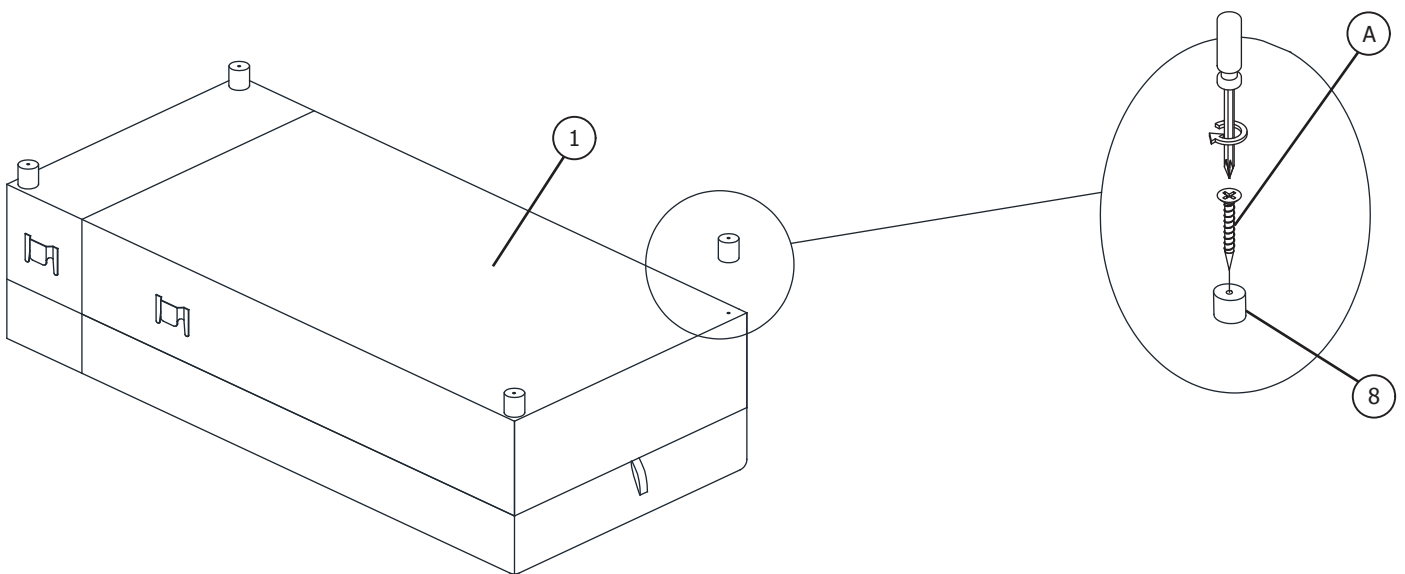
ITEM	DESCRIPTION	DRAWING	QTY
5	BACK CUSHION		3 PCS
6	ARM REST (R)		1 PC
7	ARM REST (L)		1 PC
8	LEG		8 PCS
9	LEG		4 PCS

STEP 1

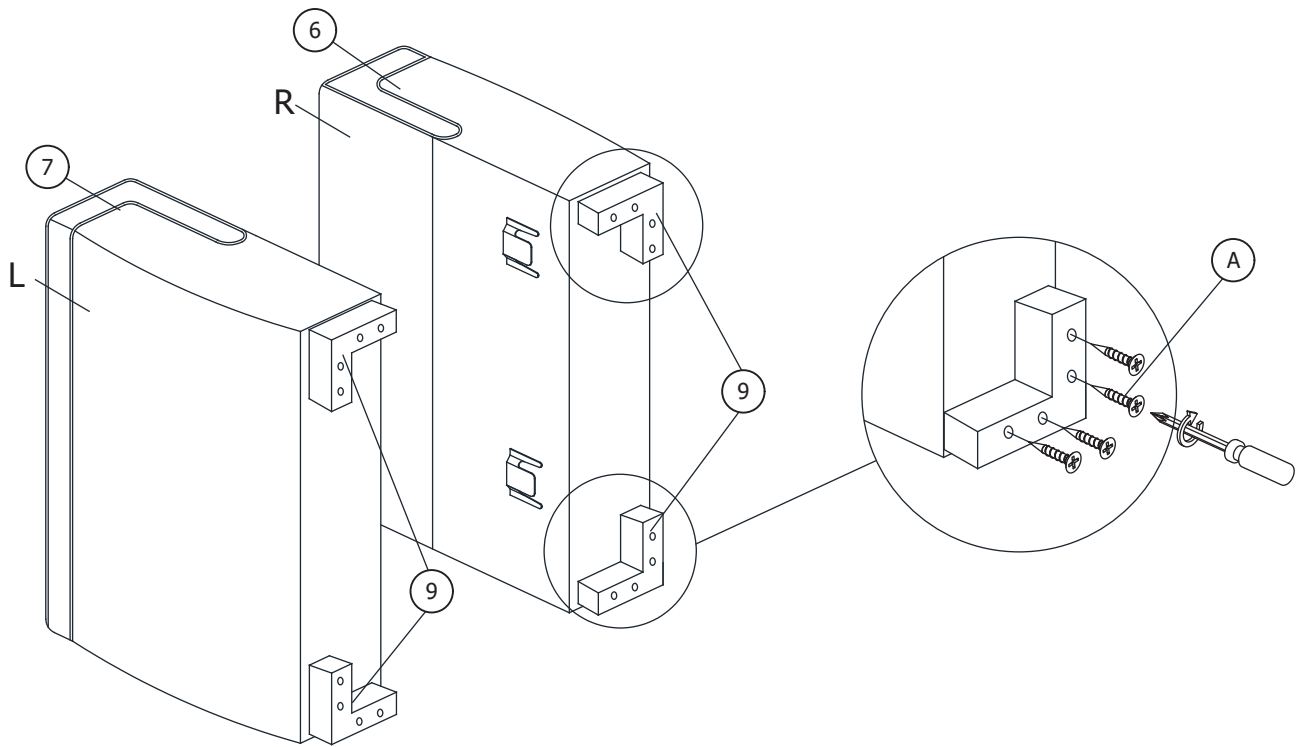
back frame, back cushion, hardware, and legs are located in a compartment under the unit.



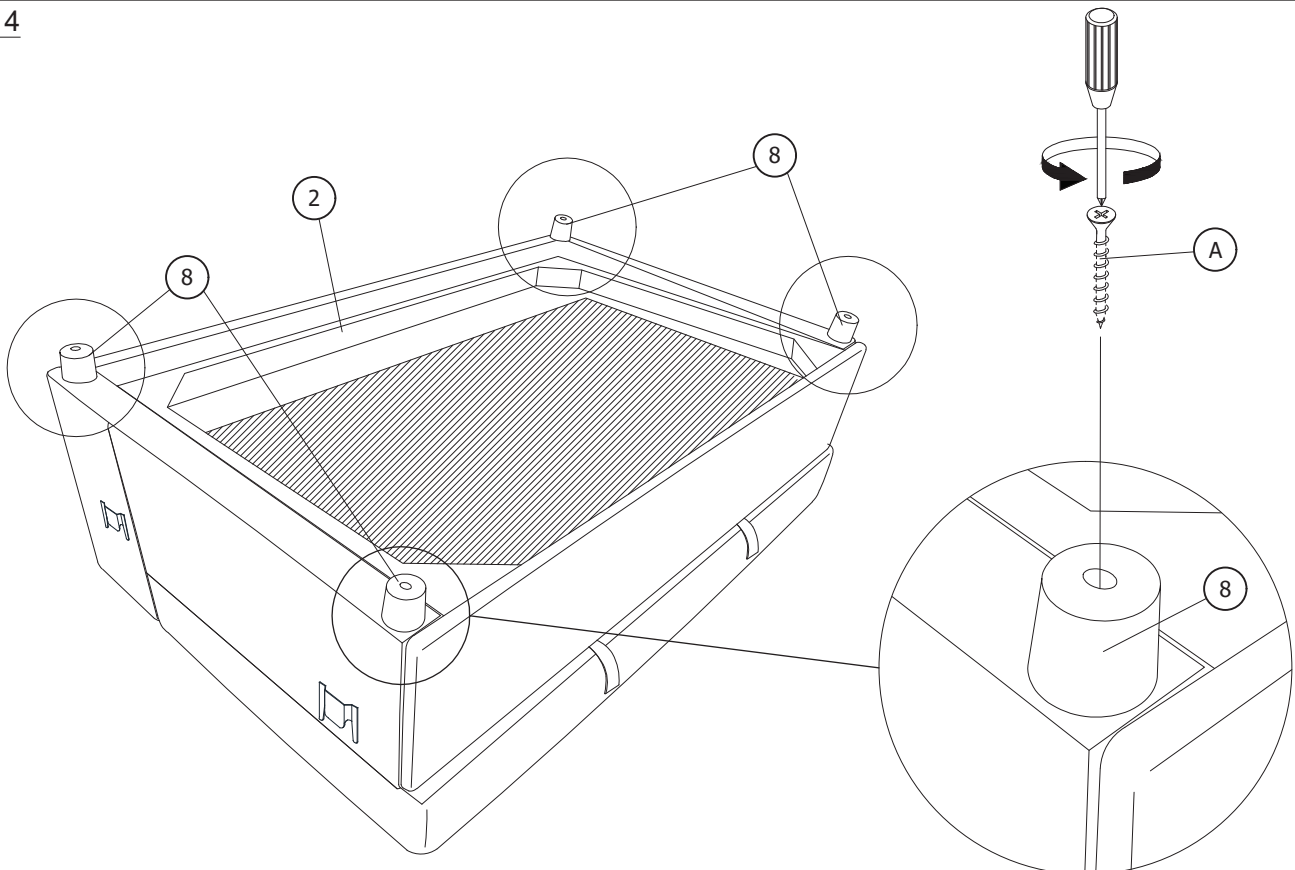
STEP 2



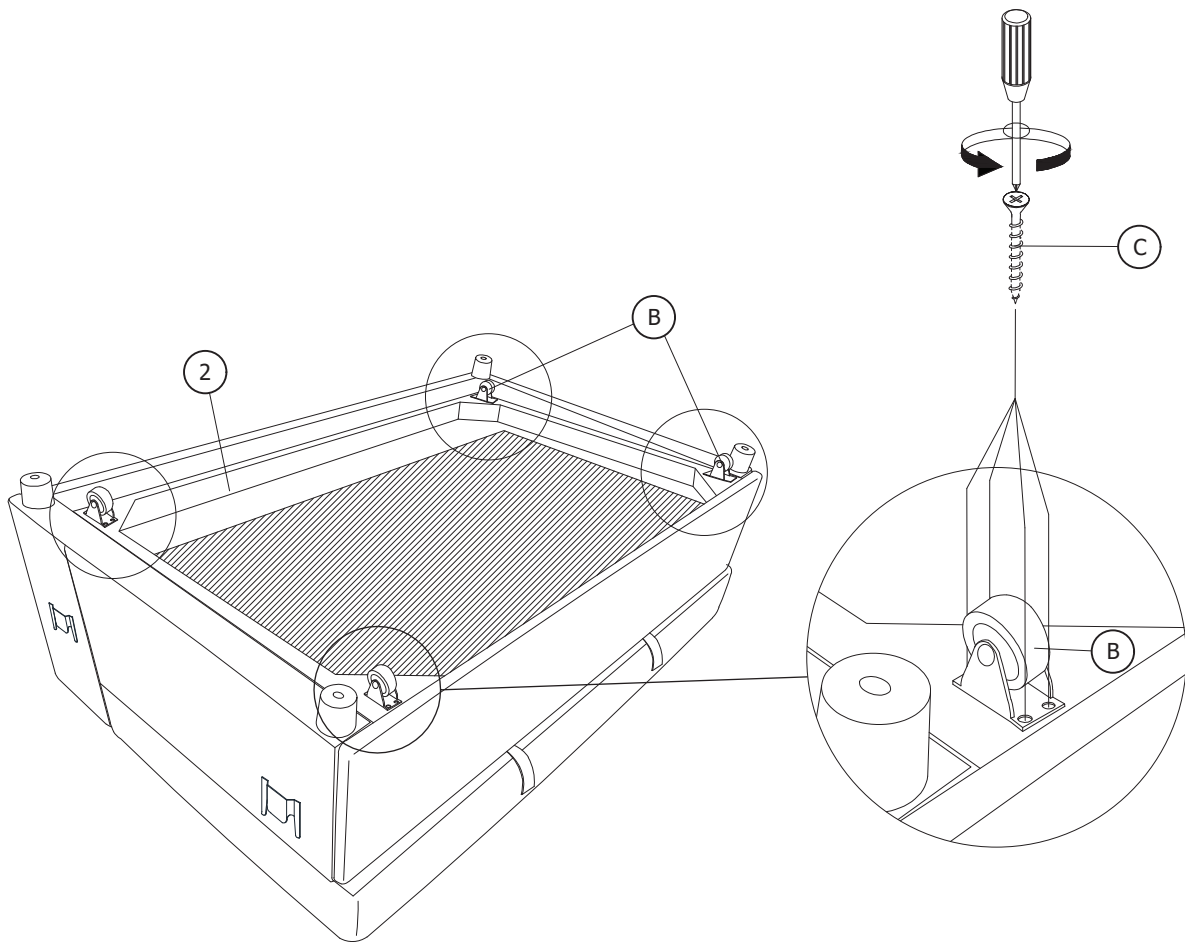
STEP 3



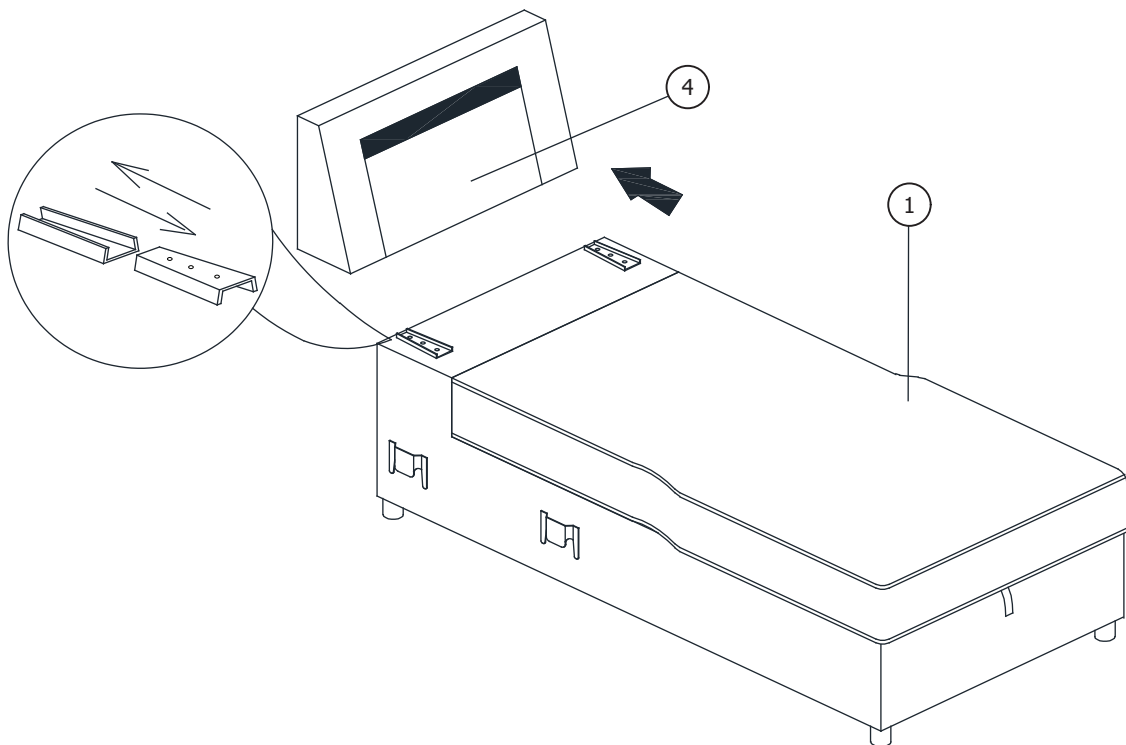
STEP 4



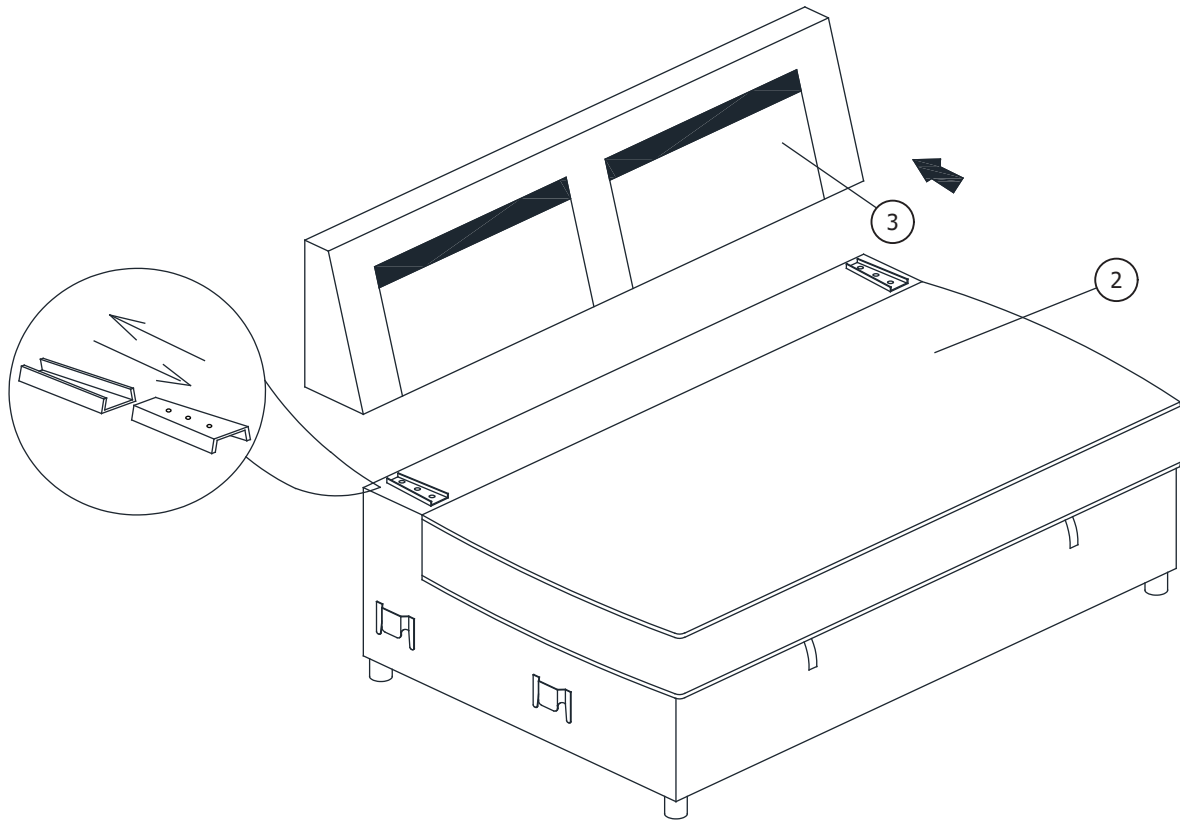
STEP 5



STEP 6



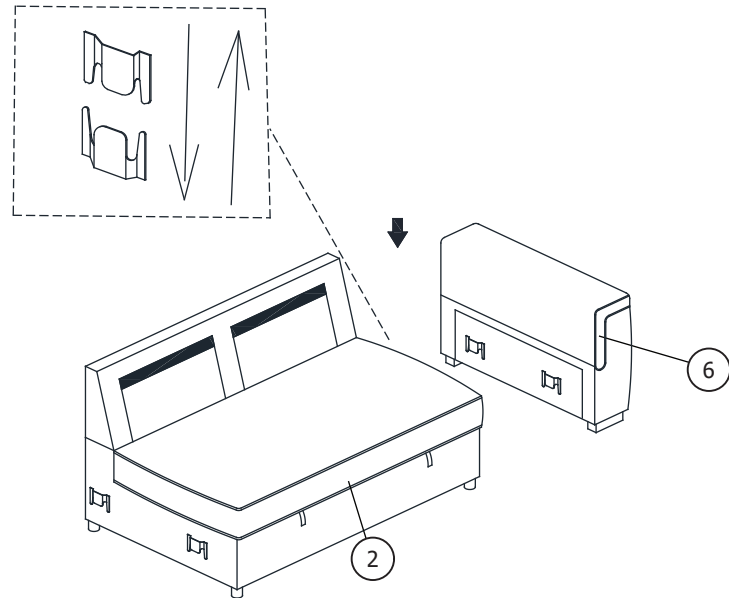
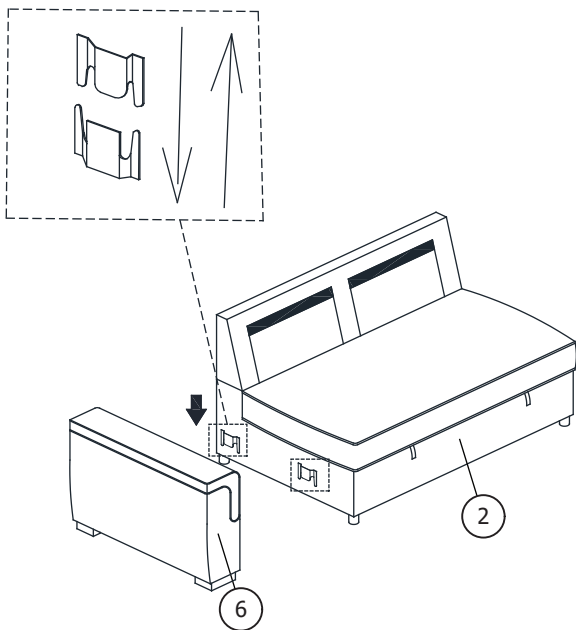
STEP 7



STEP 8

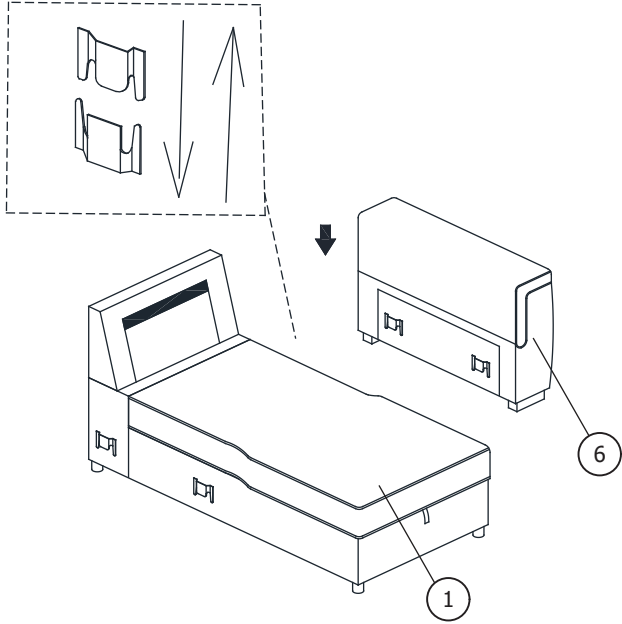
LEFT

RIGHT

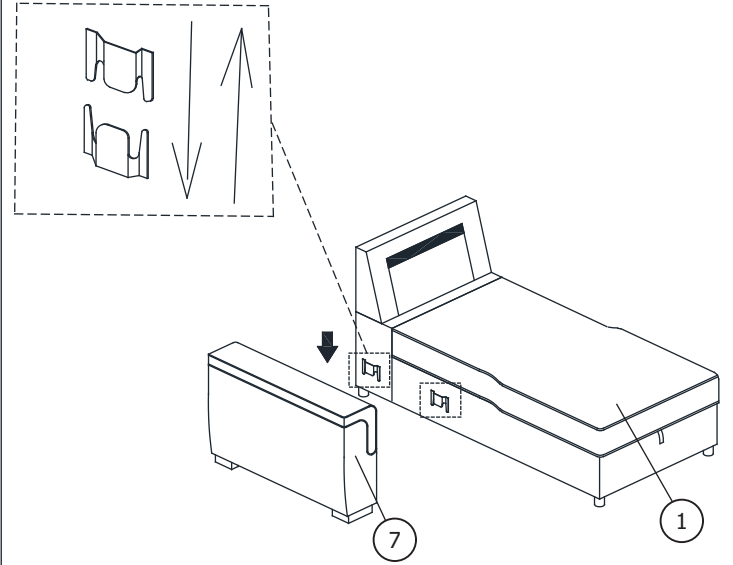


STEP 9

LEFT

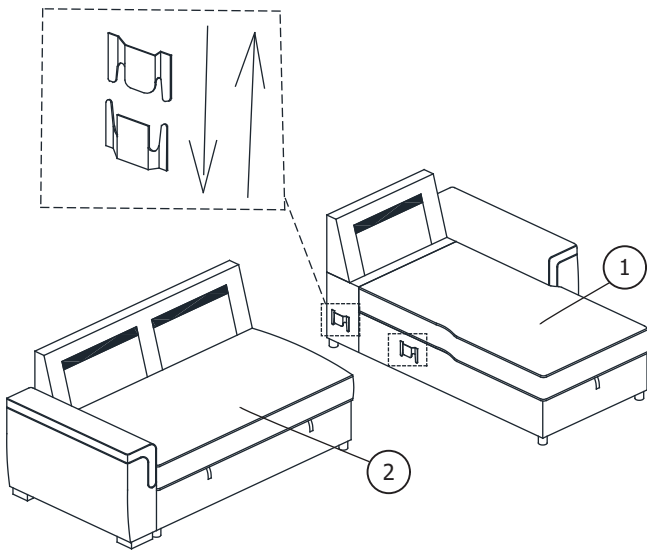


RIGHT

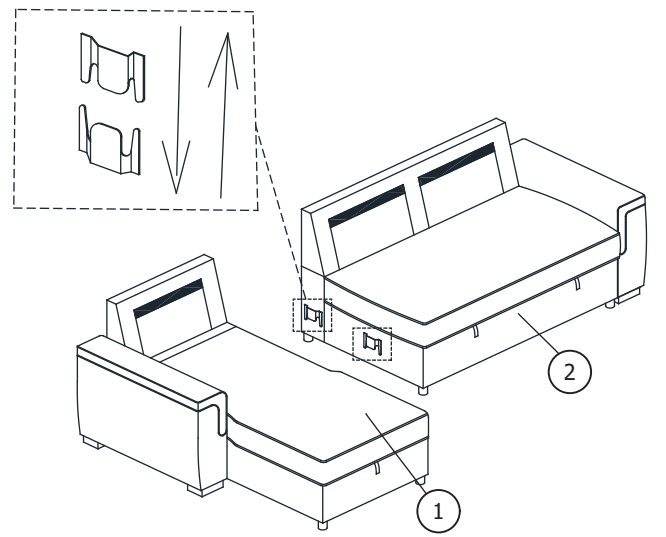


STEP 10

LEFT

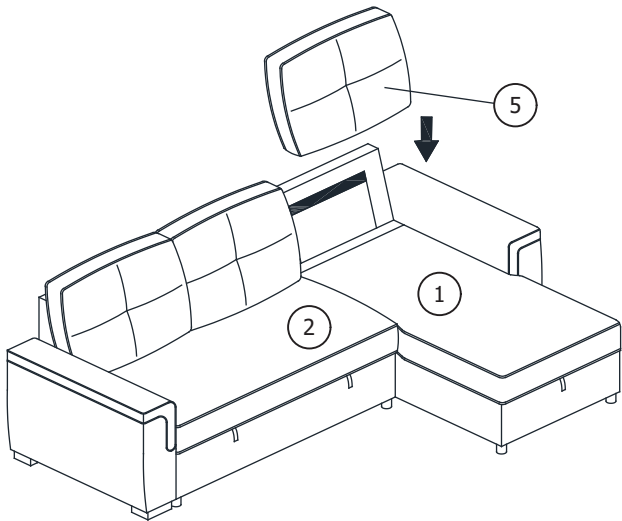


RIGHT

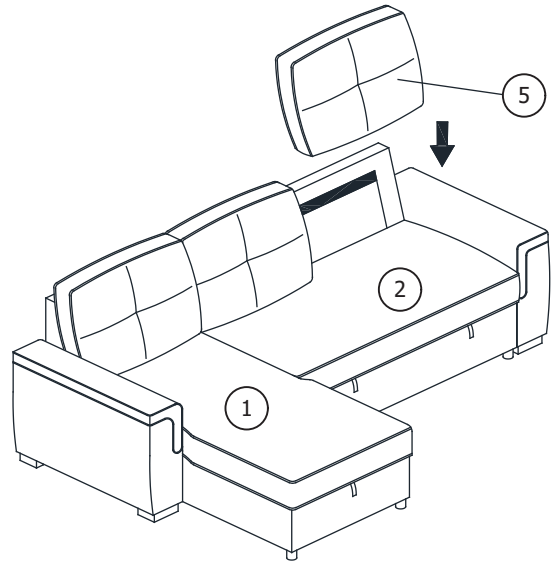


STEP 11

LEFT

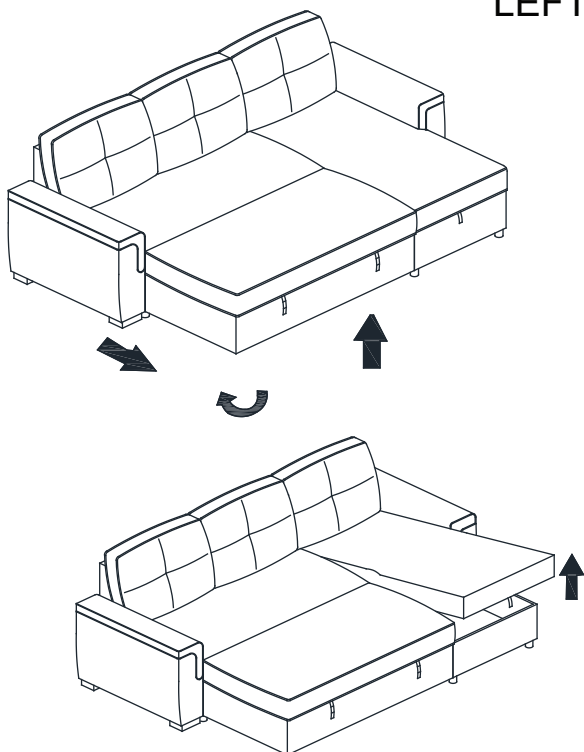


RIGHT

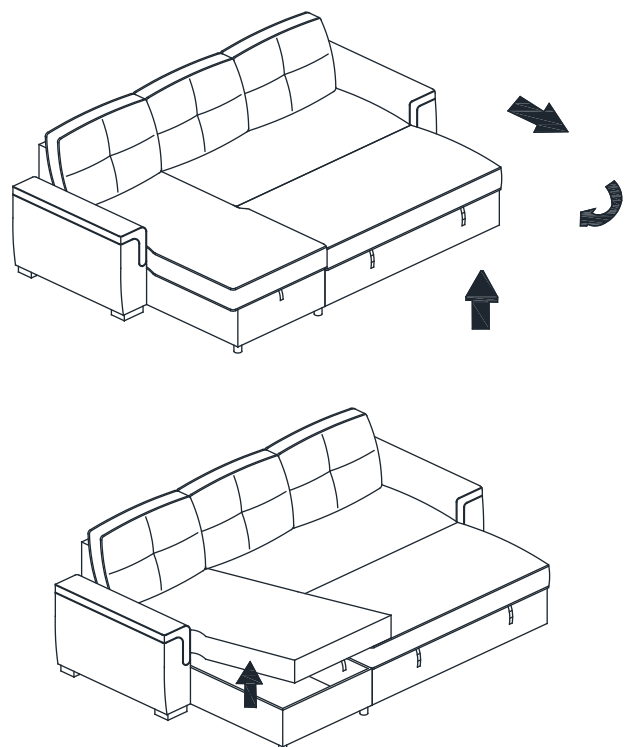


STEP 12

LEFT



RIGHT



**ASSEMBLY COMPLETED**